

# Potential Assessment of ANNs and Adaptive Neuro Fuzzy Inference systems (ANFIS) for Simulating Soil Temperature at different Soil Profile Depths

Marjan Behnia, Hooshang Akbari Valani, Moslem Bameri, Bahareh Jabalbarez\*, Hamed Eskandari Damaneh

DOI: 10.18869/IJABBR.2017.419



**International Journal of Advanced Biological and Biomedical Research**

**Journal DOI:** 10.18869/IJABBR

**ISSN:** 2322-4827

**CODEN (USA):** IJABIS

<http://ijabbr.com>



Copyright © 2017 by authors and CASRP Publishing Company, Ltd, UK. This work is licensed under the Creative Commons Attribution International License (CC BY4.0).

<https://creativecommons.org/licenses/by/4.0/>



IJABBR- 2017- eISSN: 2322-4827

International Journal of Advanced Biological and Biomedical Research

Journal homepage: [www.ijabbr.com](http://www.ijabbr.com)



Research Article

DOI: 10.18869/IJABBR.2017.419

## Potential Assessment of ANNs and Adaptive Neuro Fuzzy Inference systems (ANFIS) for Simulating Soil Temperature at different Soil Profile Depths

Marjan Behnia<sup>1</sup>, Hooshang Akbari Valani<sup>1</sup>, Moslem Bameri<sup>2</sup>, Bahareh Jabalbarez<sup>\*1</sup>, Hamed Eskandari Damaneh<sup>3</sup>

<sup>1</sup>M.Sc. Expert in Management of Desert, Faculty of Natural Resource, University of Tehran, Iran

<sup>2</sup>M.Sc. Expert in De-Desertification, Faculty of Agriculture and Natural Resource, Hormozgan university, Iran

<sup>3</sup>PhD Student of De-Desertification, Faculty of Natural Resource, University of Tehran, Iran

### ARTICLE INFO

#### Article history:

Received: 17 Jan 2017

Revised: 29 Feb 2017

Accepted: 14 Mar 2017

ePublished: 30 Apr 2017

#### Key words:

Artificial neural networks

ANFIS model

Soil temperature

Levenberg

Marquardt

### ABSTRACT

**Objective:** Soil temperature serves as a key variable in hydrological investigations to determine soil moisture content as well as hydrological balance in watersheds. The ongoing research aims to shed lights on potential of artificial neural networks (ANNs) and Neuro-Fuzzy inference system (ANFIS) to simulate soil temperature at 5-100 cm depths. To satisfy this end, climatic and soil temperature data logged in Isfahan province synoptic station were collected. **Methods:** The ANNs structure was designed by one input layer, one hidden layer and finally one output layer. The network was trained using Levenberg-Marquardt training algorithm, then the trial and error was considered to determine optimal number of hidden neurons. The number of 1 to 13 neurons were evaluated and subsequently considering a trial and error test and model error, the most suitable number of neuron of hidden layer for soil depths 5, 10, 20, 30, 50 and 100 cm was found to be 3, 4, 5, 4, 5 and 3 neurons respectively. Clustering radius was set as 1.5 for subtractive clustering algorithm. **Results:** Results showed that estimation error tends to increase with the depth for both ANNs and ANFIS models which may be attributed to weak correlation between the input climatic variables and the soil temperature at increasing depth. Result suggested that ANFIS approach outperforms ANN in simulating soil horizons temperature.

### Introduction

Soil temperature is found to be one of the most substantial climatic parameters in hydrological research. At the same time, soil moisture as a soil hydrologic parameter can be affected by soil temperature among others (Chu et al., 1988). Soil moisture content and volume in turn controls various hydrological processes (Alshorbag et al., 2008). Given the enormous studies on

role of soil temperature in agricultural studies, engineering applications (Chu et al., 1988) and hydrological modeling and etc. demonstrated that, it seems necessary to emphasize importance of understanding the changes in soil temperature. In lights of previous literatures, soil temperature and moisture variations at shallow depths demonstrates significant fluctuations in daily and in annual scale. So it is difficult

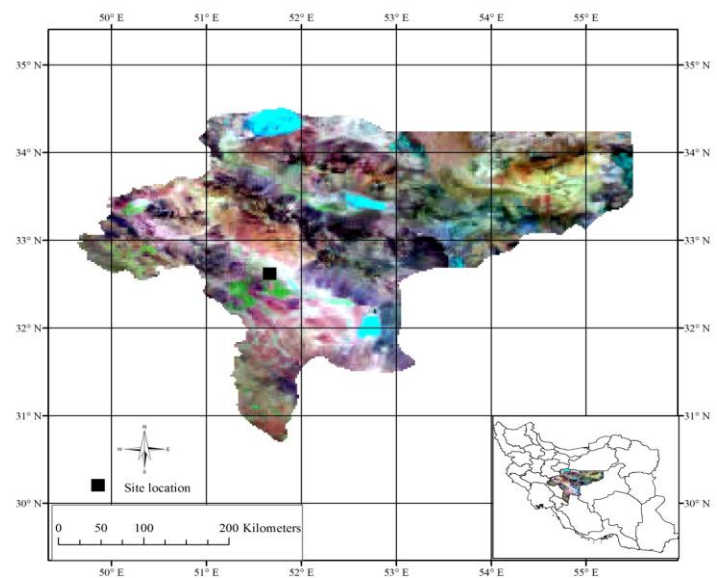
\*Corresponding Author: Bahareh Jabalbarez, M.Sc. Expert in Management of Desert, Faculty of Natural Resource, University of Tehran, Iran ([bahareh.jabal.bar@ut.ac.ir](mailto:bahareh.jabal.bar@ut.ac.ir))

to predict the soil temperature. Considering the soil temperature changes in numerical methods that can accurately predict thermal behavior of soil to assess changes in soil temperature over time can be useful for the purpose of agricultural activities. Many different methods such as artificial neural networks (Yang *et al.*, 1997), statistical techniques and Contingency analysis (Bouk *et al.*, 1974; Conrad *et al.*, 1950; Han *et al.*, 1977) have been used to model the soil temperature. Yang *et al.* (1997) applied artificial neural networks to simulate the soil temperature at various depths of 100, 500 and 1500 mm, in an Experimental Farm in Ottawa, Canada. Results using two criteria root mean square error (RMSE) (0.59 to 1.82) and correlation coefficient (0.93 to 0.98) reflects the efficiency of artificial neural networks to estimate soil temperature. Kang *et al.* (2000) applied soil temperature hybrid model taking into account the combined effect of topography, vegetation and litter to predict the soil temperature in forest areas in Korea. Sensitivity analysis of model showed high sensitivity to leaf area index (LAI). Kuaho *et al.* (2009) by integrating radial neural networks and clustering methods, simulated the soil profile temperature. Their results indicated that the combination of these two methods has high potential in determining the thermal behavior and soil moisture in different depths. The models which are based on monthly or yearly series may not be able to correctly predict dynamic variations in soil temperature, so measuring daily soil temperature in each zone is very important. On the other hand, measuring soil temperature for a long-term is difficult and very expensive (kiosk *et al.*, 1997). Hence this study aims to study and estimate the soil temperature using time series models and multivariate regression methods. Fuzzy Logic is one of Artificial Intelligence method which synthesis human knowledge with observational data to create fuzzy rules and Fuzzy Inference System (Zadeh 1965). A Fuzzy Inference System, convert a set of inputs to numeric outputs using fuzzy rules and membership functions. Fuzzy inference systems serve as effective method for modeling complex systems that cannot be simulated them with conventional statistical methods. Artificial neural network and fuzzy inference systems Methods are increasingly being used to model the rainfall-runoff hydrological processes, including modeling, simulation and prediction of flood, etc. among others. However, one of the main variables that play a role in hydrological studies and estimating evapotranspiration and soil temperature of the stream that has been less studied and modeled. The present research attempts using artificial neural network and

fuzzy inference systems simulate soil temperature at a depth 5 to 100 cm soil temperature simulation and to assess their efficiency in modeling.

## Materials and Methods

In doing present research, climatic parameters from Isfahan synoptic meteorological station including the average daily air temperature, minimum and maximum daily temperatures, evaporation, solar radiation, soil temperature and sunshine hours in the middle of the 5, 10, 20, 30, 50 and 100 cm during the 13 year period (1992-2009) as an arid and semi-arid region of the country and with moderately severe seasonal weather changes were collected. The study area is shown in Figure 1.



**Figure 1:** Study area map

The data were divided into two parts. First part included 3028 observational data to train models and 335 observational for data validation models were used. Two standard assessment correlation criteria ( $R^2$ ) and the average root mean square error (RMSE) were used to model validation.

Given that input parameters are characterized with different scale, so before entering the model in a certain numerical range were standardized. Using following formula all entries were scaled in range -1 to +1. Such inputs scaling are also effective to enhance performance tangent sigmoid function in neural networks. The following function was used to scale inputs and outputs before entering the artificial intelligence models.

$$Z = \frac{2 * (X_i - X_{\min})}{(X_{\max} - X_{\min})} - 1$$

Where, is standardized value Z between -1 and +1 and  $X_{\min}$  and  $X_{\max}$  is the minimum and maximum input and output respectively.

**ANFIS modeling**

ANFIS for first time was coined by Jang (1993). A fuzzy system with algorithm that is based on neural network theory should be trained. The combination of artificial neural networks and fuzzy logic systems based on neural network as fuzzy inference system has comparative advantages in computational framework. The ability to effectively train artificial neural networks and fuzzy if-then rules can contribute parameter optimization (Nayak et al., 2004).

**Fuzzy Logic**

Fuzzy Logic was presented for the first time by Lotfi Zadeh (1965). This powerful and flexible utility theory to model the input data to output data. The primary mechanism of input and output data modeling is to determine the terms commonly called laws. Modeling based on fuzzy rules is a form of quantitative modeling where behavior of the system using a natural language is described (Nayak et al., 2004). All rules are evaluated for synchronous and parallel rank is not important rules. Rules relating to the functions and variables that explain those variables. There are two types of systems that are widely used fuzzy rules, and these two types by Namdani and Assilian (1974) is presented. The method used in this research is Takagi-Sugeno. This method is a combination of fuzzy logic and fuzzy process output to be working. In general, a fuzzy system consists of several details that include: phase of the inputs, the use of a fuzzy operator, applying a conceptual approach, combining the output and the defuzzification.

**Fuzzification**

Each node of this layer using the membership function, sets score each entry according to the appropriate fuzzy.

$$i = 1, 2 \rightarrow O_{1,i} = \mu_{A_i}(x)$$

$$i = 3, 4 \rightarrow O_{2,i} = \mu_{B_{i-2}}(x)$$

Where x and y represents non-fuzzy inputs to  $i_{th}$  node and  $A_i$  and  $B_{i-2}$  denotes linguistic labels characterized with  $\mu_{A_i}$  and  $\mu_{B_{i-2}}$  respectively. In this study, the following formula is used with Gaussian fuzzy.

$$Gaussmf(x; c, \sigma) = \exp\left(-\left(\frac{x-c}{\sigma}\right)^2\right)$$

In this regard, c is center and  $\sigma$  represents membership function width are nonlinear adjustable variables calculated by the system.

**Rule nodes**

In this layer the operator "and" is used to obtain output that represents the front section of the law. Hence ( $O_{2,k}$ ) outputs is multiplication of degree to first layer.

$$O_{2,k} = \mu_{A_i}(x) \times \mu_{B_j}(y)$$

**Weighting and normalization**

The main purpose of this layer is to determine  $i_{th}$  weight of ( $w_i$ ) than the sum of the law.

$$Q_{3,i} = \bar{w}_i = \frac{w_i}{\sum_{k=1}^4 w_k}$$

**Defuzzification**

Phase outputs are explicit. This means that real values of membership functions and its relation to the real number is obtained and is considered as linear factor of proviso.

$$O_{4,i} = \bar{w}_i f_i = \bar{w}_i (p_i x + q_i y + r_i)$$

In this layer there is a node, the overall output is calculated by summing all input signals.

$$O_{5,i} = \sum_{i=1}^4 \bar{w}_i f_i$$

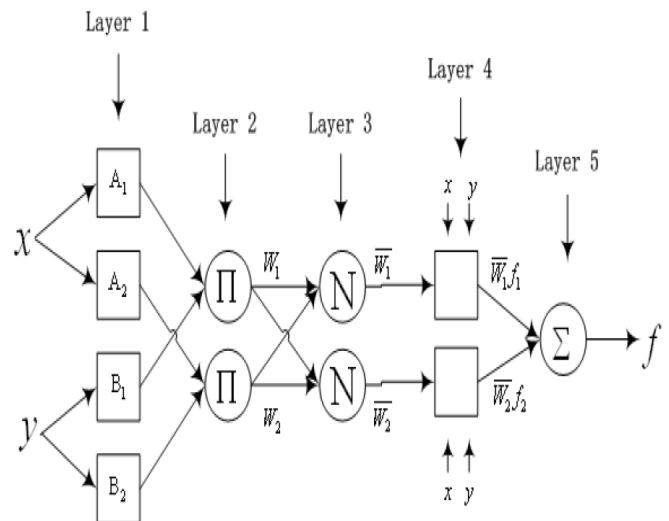


Figure 2. ANFIS model structure

**Subtractive clustering**

Subtractive clustering algorithm is used to reduce the dimensionality of data in cases where a large number of inputs exist, depending on the input data. Using foregoing algorithm fuzzy system can be organized with the least number of fuzzy rules. Subtractive clustering depends on the data density. Considering n data points  $\{x_1, \dots, x_n\}$ , subtractive clustering algorithm considers each point as a potential cluster center. Then density index at point  $x_i$  is defined as follows:

$$D_i = \sum_{j=1}^n e^{-\|x_i - x_j\|^2 / (r_a / 2)^2}$$

That  $D_i$  denotes density index and  $r_a$  is positive constant greater than zero ( $r_a > 0$ ) representing the neighborhood radius for each cluster centers. So every data point that

has more neighborhoods points has more potential to get on the cluster centers.

Observational data that are located outside the radius impose less impact on density index. Selecting clustering radius is of great importance in determining the number of clusters. High values  $r_a$  result in a lower number of clusters and vice versa. After a point with the highest potential was determined as cluster center, for example  $x_{c1}$  point was determined as first center of the cluster by  $D_{ci}$  density index for each point  $x_i$  will be recalculated by following formula.

$$D_i = D_i - D_{c_i} e^{-\|x_i - x_{c1}\|^2 / (r_b / 2)^2}$$

Where  $r_b$  is a positive constant greater than zero ( $r_b > 0$ ) and represents the neighborhood radius for which the greatest reduction in the density will be achieved. To avoid proximity of cluster centers to each other usually  $r_b$  is set as much as 1.5 times of  $r_a$ .

Finally data clusters are used to determine the number of fuzzy rules used in the fuzzy inference system.

#### Artificial Neural Networks

Artificial neural networks are different from conventional systems such as statistical or analytical models. Each different weight to input from other nodes receives, responds. So far, different neural networks with different algorithms have been used in hydrological studies. Artificial neural networks are different from conventional systems such as statistical or analytical models. An artificial neural network consists of an arbitrary number of very simple elements which are called nodes. Each node is a very simple element with different weights processor that inputs received from other nodes-the-answers. So far, different neural networks with different algorithms have been used in hydrological studies. In the present research feed forward networks MLP propagation learning method was used. The reason behind selecting this type of artificial neural networks is that in previous research, this type of network performance outperforms other types of neural networks in the field of hydrology and water resources (Cigizoglu and Alp, 2008).

## Results and Discussion

Table 1 illustrates the demographics series of parameters used in the study. As it can be seen, coefficient of variation (Cv) from surface to a depth of 100 cm soil temperature has increased substantially so that maximum coefficient of variation of soil temperature is observed at a depth of 5 cm and decreases with depth

gradually. High values of the coefficient of variation of soil surface layers suggest high variability in soil temperature in this layer, which in turn is influenced by a variety of mechanisms in soil temperature in this layer.

Artificial neural network techniques and Fuzzy Inference System methods was used to simulate soil temperature at different depths. To simulate soil temperature at depths 5 to 100 cm, six artificial neural network model and six ANFIS model were used. To achieve the appropriate structure Artificial neural network trial and error process to achieve the most appropriate structure based on determining neural network the number of hidden layer neurons.

Number of neurons in the hidden layer is determined given to number of model inputs. Usually the number of hidden layer neurons is determined between 1 to  $2m + 1$  based on trial and error, where  $m$  is the number of inputs. To determine artificial neural network the Levenberg-Marquardt and 300 training rounds were used.

The most appropriate number of neurons in the hidden layer to simulate the soil temperature in layers 5, 10, 20, 30, 50 and 100 cm, were set as, 3, 4, 5, 4, 5, and 3 neurons respectively.

For example, Table 2 shows the trial and error for artificial neural network model to depths of 10 and 50 cm.

To determine the most appropriate ANFIS structure clustering radius  $r_a$  in main parameters to determine the structure of ANFIS model subtractive clustering algorithm was taken into account. Through trial and error process clustering radius between 2.0 and 1 was evaluated to get the lowest level of error by determining the best clustering model. For values less than 0.2 network training was faced with an issue and for those greater than one there was not great change in error values. Clustering radius was equaled to 1.5 and Gaussian membership functions for each fuzzy sets were used. The results of ANN and ANFIS models based on statistical validation of the coefficient of determination ( $R^2$ ) and root mean square error (RMSE) are presented in Table 3. Results showed high correlation of observational data in the table and are simulated at different depths so that correlation between observed and simulated data varies from 0.98 to 0.80 at a depths 5 cm to 100 cm. The results suggests high efficiency of artificial intelligence models in simulation of soil profile temperature.

**Table 1.** Descriptive statistics for soil temperature series

Variable		Descriptive statistics						
		min	max	Avge	sd	skewness	Kurtosis	$C_v$ (%)
Input variables	(C°) Temperature min	-7.8	28.80	13.04	7.14	-0.39	-0.73	54.77
	(Co) maximum air	1.2	43	28.53	8.20	-0.60	-0.51	28.76
	(CAL/CM <sup>2</sup> )radiation	25	969.5	1845.67	1122.42	1.38	8.49	60.81
	(hr)sunny hours	0.1	13.8	9.98	2.75	-1.65	2.74	27.56
	(mm)evaporation	0.1	30	8.11	4.12	-0.02	-0.48	50.83
	(C°)average temprature	-3.30	34.80	20.78	7.50	-0.48	-0.73	36.33
output variables	5 cm(C°)	0.70	45.53	26.24	9.69	-0.48	-0.89	36.94
	10 cm(C°)	0.30	39.67	25.73	9.16	-0.56	-0.79	35.61
	20 cm(C°)	2.07	36.67	24.31	8.01	-0.58	-0.79	32.95
	30 cm(C°)	3.40	37.13	24.05	7.63	-0.56	-0.86	31.72
	50 cm(C°)	7.33	35	24.37	6.62	-0.53	-0.92	27.14
	100 cm(C°)	10.60	32.93	23.59	5.08	-0.50	-0.92	21.52

**Table 2:** Determination of artificial neural network model structure to depths 10 and 50 cm using a trial and error process

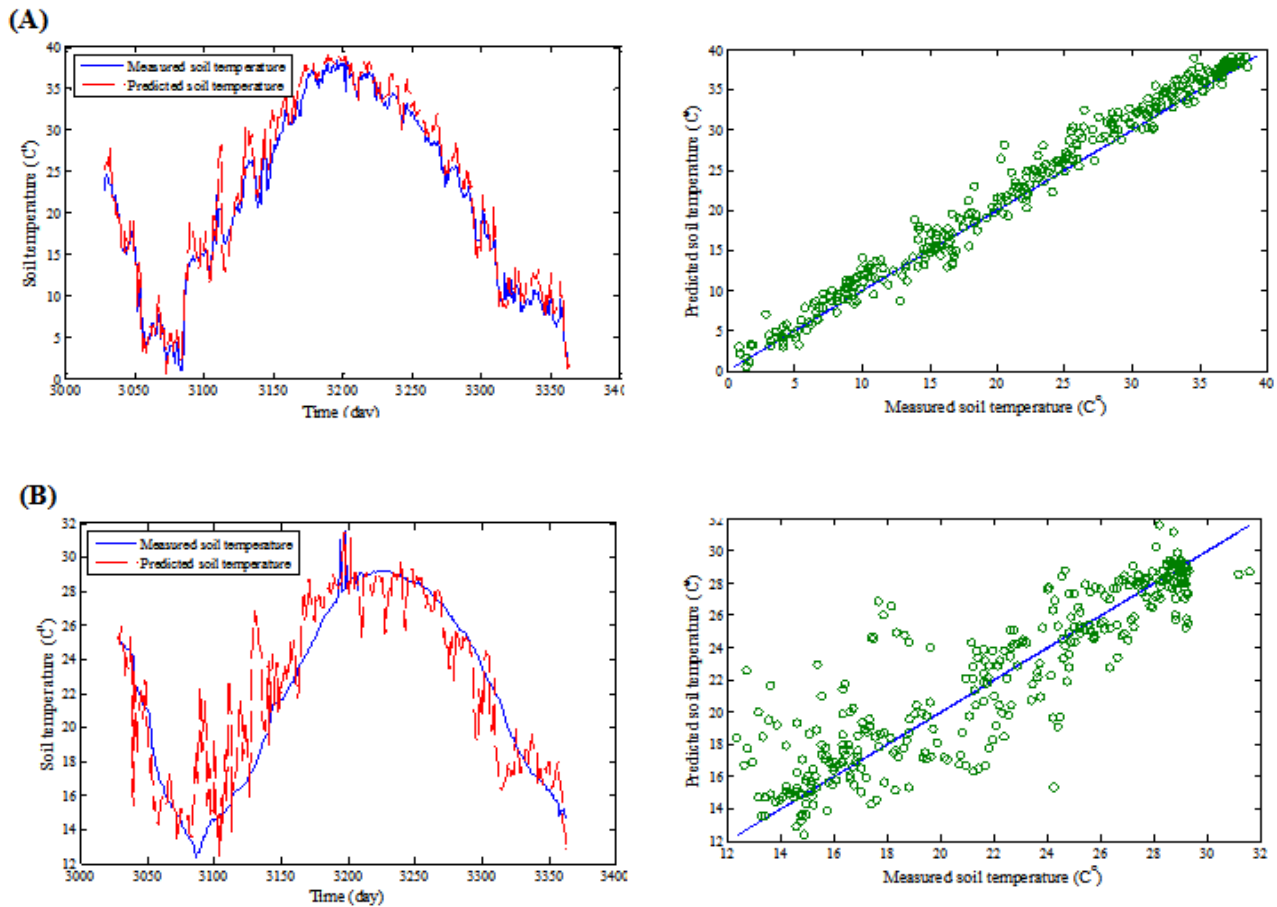
Depth soil	10 cm		50 cm	
	Training error	Accuracy error	Training error	Accuracy error
1	1.58	1.75	2.38	2.42
2	1.57	1.65	2.36	2.41
3	1.65	1.71	2.16	2.25
4	1.53	1.59	2.09	2.25
5	1.55	1.65	2.12	2.22
6	1.55	1.61	2.21	2.38
7	1.55	1.60	2.12	2.22
8	1.54	1.61	2.14	2.36
9	1.52	1.64	2.17	2.35
10	1.54	1.66	2.08	2.24
11	1.51	1.42	2.03	2.22
12	1.54	1.60	1.97	2.42
13	1.54	1.60	1.99	2.28

**Table 3:** The results of ANN and ANFIS models to simulate the temperature at different depths

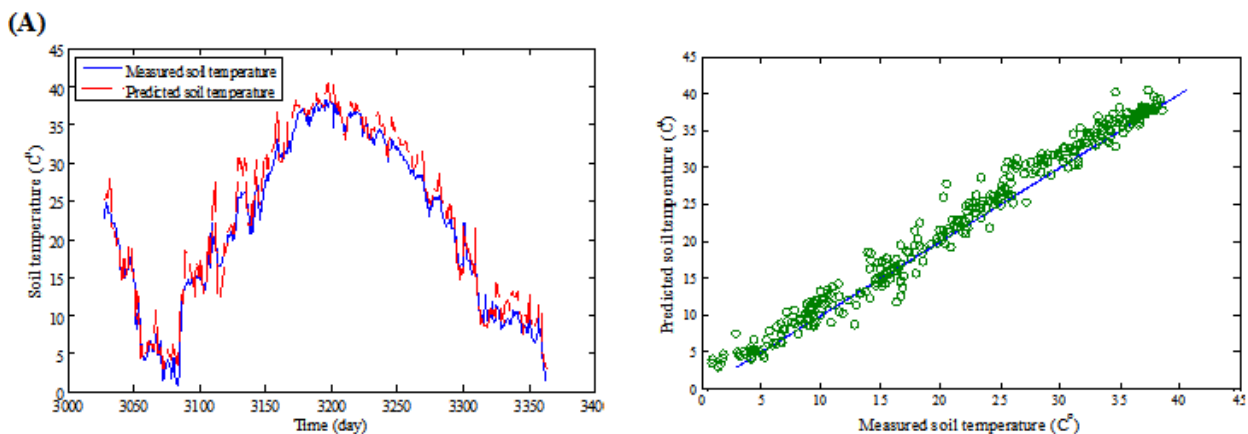
Depth(cm)	ANFIS		ANN	
	R2	RMSE (C°)	R2	RMSE(C°)
5	0.98	1.86	0.98	1.95
10	0.98	1.58	0.98	1.59
20	0.96	1.84	0.96	1.92
30	0.95	1.89	0.89	2.03
50	0.91	2.15	0.91	2.22
100	0.80	2.39	0.80	2.44

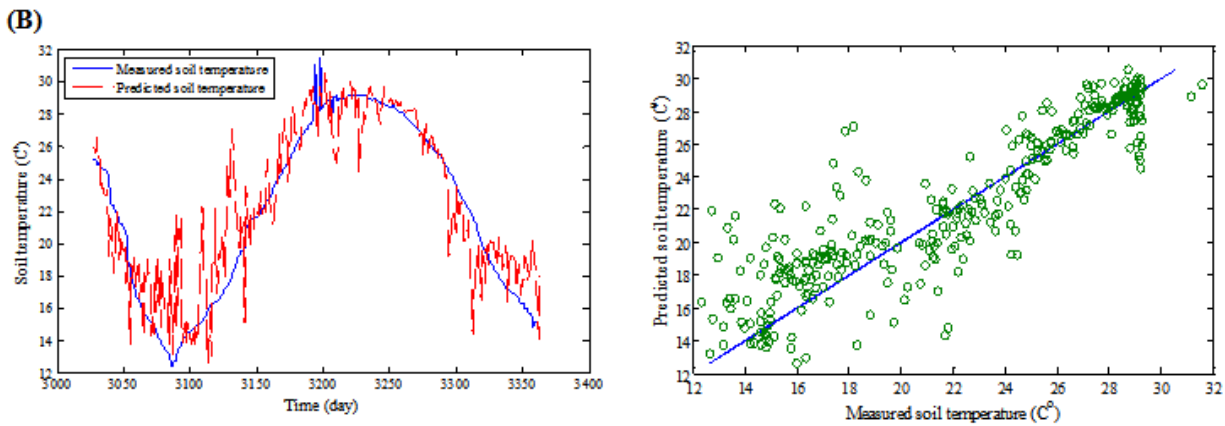
Figure 2 and 3 illustrate correlation graph for observational data and simulation data using ANFIS model and artificial neural network. According to the graphs it is clear that both ANFIS and artificial neural network model have been successful in simulating soil temperature. Here, for example, ANN and ANFIS models simulation results in depths 5 and 100 cm are given. As

for Figures 2 and 3 it is worthy to note that agreement between observed and simulated data in surface layers than deeper ones is higher which representing higher efficient models used in the surface layers than deep layers.

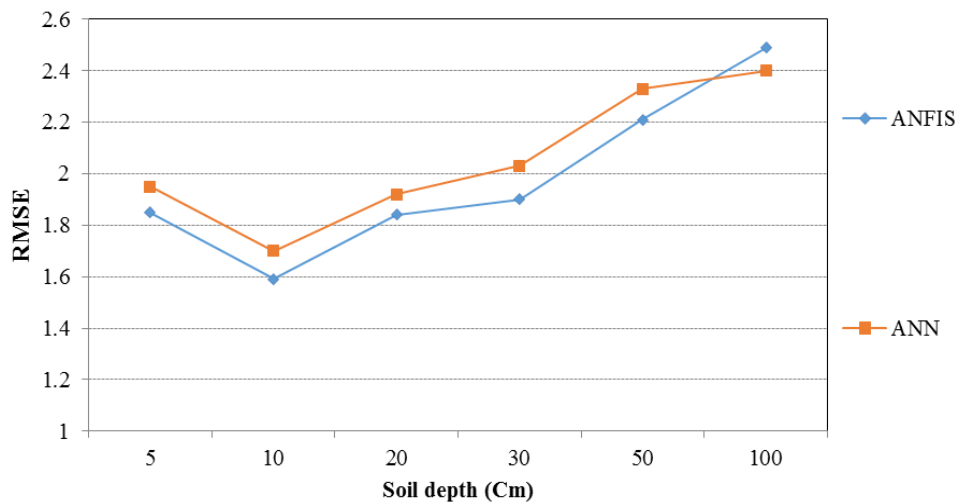


**Figure 3:** ANFIS model potential to simulate soil temperature data in depth (A) 5 cm and (b) 100 cm





**Figure 4:** ANN model potential to simulate soil temperature data in depth (A) 5 cm and (b) 100 cm



**Figure 5:** ANFIS model potential to simulate soil temperature data in depth (A) 5 cm and (b) 100 cm

The results of ANN and ANFIS models to simulate different depths of soil temperature are shown in Figure 4. According to the figure that both model error increases with increasing depth and the maximum depth of 100 cm and the lowest error model error models at a depth of 10 cm from the surface. The results in Table 3 also represents an increase of artificial neural network models and ANFIS error in the simulated temperature changes in the soil is deep layers. So that the minimum and maximum error (RMSE) for ANFIS and artificial neural network models are 1.86 and 1.95 respectively (at depth 5 cm) and 2.39 and 2.44 (at depth 100 cm). On the other hand comparing simulation results of ANFIS model in Figure 3 and artificial neural network in Figure 4 as well as the results set forth in Table 3 suggested superior efficiency of the artificial neural network than ANFIS model. The main reason for increasing the effectiveness artificial intelligence models in simulating soil temperature in the surface layers than depths is mainly

related to a decrease in the correlation between climate and soil temperature changes in the deep layers than upper ones so that the coefficient of variation of soil temperature with increasing depth is less than surface layers and is less affected by climatic variables including soil temperature. Increased accuracy of artificial neural network models and ANFIS in the surface layers stems from complex relationships between climatic variables and soil temperatures in the surface layers. Gao *et al.* (2007) attributed better potential of ANN and ANFIS in the soil surface layers to nonlinearity of the system and greater correlation in input and output variables in the soil surface layers. Another important point is that in artificial neural network model, trial and error process should be run to determine the optimal parameters model and this somewhat time-consuming, while is not necessary such a process in a model ANFIS.



## Concluding Remarks

Soil temperature represents one of the key variables in natural resources research, especially hydrological studies and estimation of hydrologic characteristics as streams and evapotranspiration. In this study, artificial neural network models and Fuzzy Inference System (ANFIS) was used to simulate soil temperature in different layers. The result represents coefficient of variation of soil temperature in the surface layers than upper layers. The main objective aims to shed lights on potential of artificial neural networks (ANNs) and Neuro-Fuzzy inference system (ANFIS) to simulate soil temperature at 5-100 cm depths. The ANNs structure was designed by one input layer, one hidden layer and finally one output layer. The network was trained using Levenberg-Marquardt training algorithm, then the trial and error was considered to determine optimal number of hidden neurons. The main reason for increasing the effectiveness artificial intelligence models in simulating soil temperature in the surface layers than depths is mainly related to a decrease in the correlation between climate and soil temperature changes in the deep layers than upper ones so that the coefficient of variation of soil temperature with increasing depth is less than surface layers and is less affected by climatic variables including soil temperature. Increased accuracy of artificial neural network models and ANFIS in the surface layers stems from complex relationships between climatic variables and soil temperatures in the surface layers. Although the obtained results suggests an increase in the efficiency of ANFIS model to artificial neural network in different soil layers, however, it merits much more investigations to compare artificial neural networks and ANFIS in simulating soil temperature under different climatic conditions to get a comprehensive conclusion in this field.

## References

Bocock, K. L., Lindley, D. K., Gill, C. A., Adamson, J. K. and Webster, J. A. 1974. Harmonic analysis and synthesis: Basic principles of the technique and some applications to temperature data Mercewood Res. Dev. No.54.

Chio, J. S., Fermanian, T. W., Weh ner, D. J. and Spomer, L. A. 1988. Effect of temperature, moisture and soil texture on DCPA degradation. *Agron. J.* 80: 108-11.

Cigizoglu, H. K., Alp, M., (2008), "Generalized Regression Neural Network in Modeling River Sediment Yield", *J. of Advances in Engineering Software*, 37, pp 63-68.

Coelho, L. D., Freire, R. Z., Santos, G. H. D., Mendes, N. 2009. Identification of temperature and moisture content fields using a combined neural network and clustering method approach, *International Communications in Heat and Mass Transfer*. doi:10.1016/j.icheatmasstransfer.2009.01.012.

Conard, V. and Pollock, L. W. 1950. *Methods in climatology*, Harvard Uni. Press, Cambridge Mass:119-133.

Elshorbagy, A. and Parasuraman, K., 2008. On the relevance of using artificial neural networks for estimating soil moisture content. *J Hydrol.* 362, 1– 18.

Gao, Z., Bian, L., Hu, Y., Wang, L. and Fan, J., 2007. Determination of soil temperature in an arid region. *J Arid Environ.* 71, 157-168.

Hann, C. E. 1977. *Statistical methods in hydrology*. Iowa State univ. Press.

Jang, J.S.R., 1993. ANFIS: Adaptive network based fuzzy inference system, *IEEE Trans. On System, Man, and Cybernetics*, 23(3): 665-685.

Jenkins, G. M. 1976. *Time series analysis, forecasting and control*, revised edn. Holden-Day, San Francisco.

Kuuseokes, E., Liechty, H. O., Reed, D. D. and Dong, J. 1997. Relating site specific weather data to regional monitoring networks in the late states. *For. Sci.* 43: 447-452.

Mamdani, E.H. and Assilian, S., 1975. An experiment in linguistic synthesis with a fuzzy logic controller. *International Journal of Man-Machine Studies*, 7(1): 1-13.

Nayak, P.C., Sudheer, K.P., Rangan, D.M. and Ramasatri, K.S., 2004. A neuro-fuzzy computing technique for modeling hydrological time series. *Journal of Hydrology*, 291: 52-66.

Yang , C. C., Parsher, S. O., Mehuys, G. R. and Panti, N. K. 1997. Application of artificial neural networks for simulation of soil temperature. *Agric. Eng* 40(3): 649-656.

Zadeh, L.A., 1965. Fuzzy sets. *Information Control*, 8, 338-353.